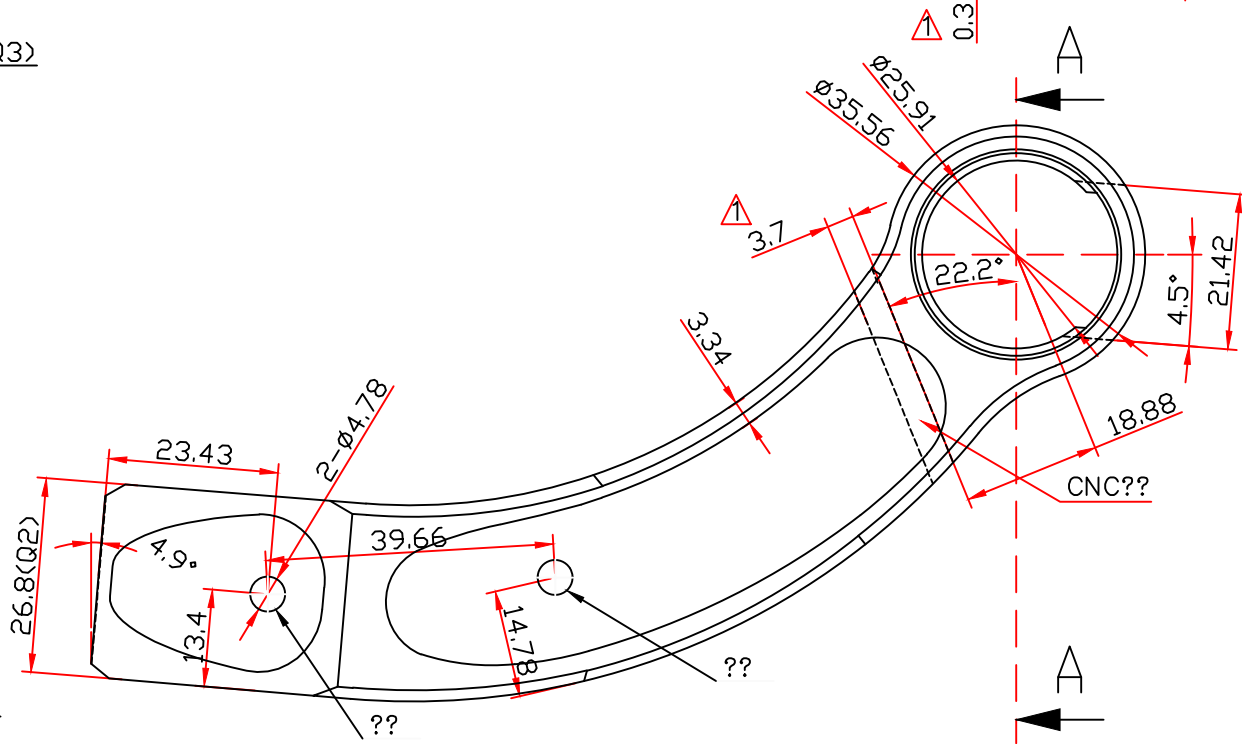
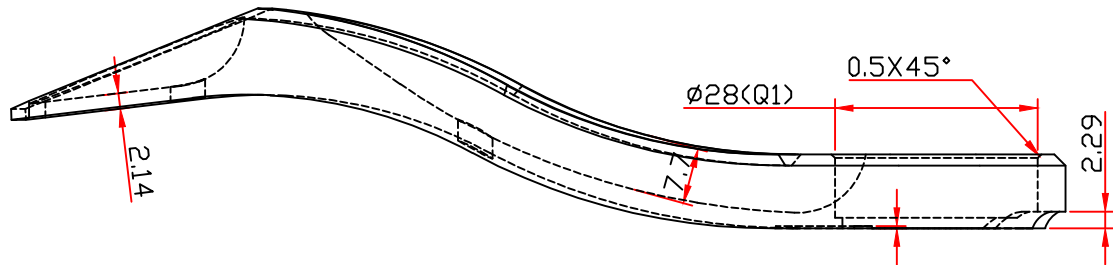
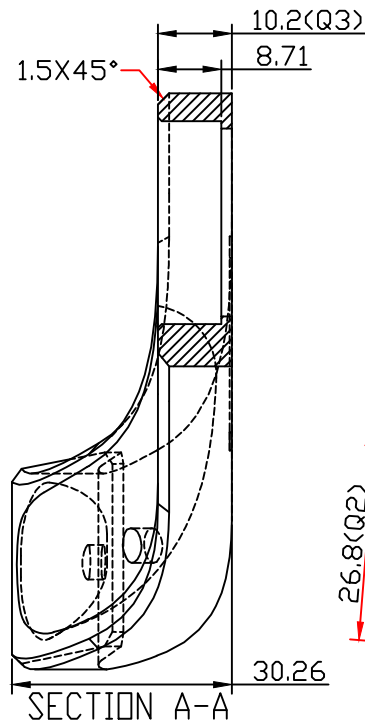


| | |
|--------------------------|--------------------------|
| ????? | |
| ????? | |
| ????? | <input type="checkbox"/> |
| ????? | 1 |
| ?? | <input type="checkbox"/> |
| ?? | 2 |
| ?? | 3 |
| ?? | 4 |
| ?? | 5 |
| ?? | <input type="checkbox"/> |
| ?? | <input type="checkbox"/> |
| ?? | <input type="checkbox"/> |
| T4 | 6 |
| T6 | 7 |
| ?? | 8 |
| CNC | <input type="checkbox"/> |
| ?? | 9 |
| ?? | 10 |
| CNC | 11 |
| ?? | 12 |
| ?? | <input type="checkbox"/> |
| ?? | <input type="checkbox"/> |
| ?? | 13 |
| ????? | <input type="checkbox"/> |
| ?? | <input type="checkbox"/> |
| ?? | <input type="checkbox"/> |
| ????? | <input type="checkbox"/> |
| ?? | 14 |
| ?? | 15 |
| ????? | 16 |
| ?? | 17 |
| <input type="checkbox"/> | |

?: 1.CNC??Q1
2.??????????



| 检验标准 | |
|------|--------------------------|
| ?? | 尺寸公差 |
| Q1 | $\phi 28_{-0.04}^{0.00}$ |
| Q2 | 26.8 ± 0.1 |
| Q3 | 10.2 ± 0.1 |

JD-9Q-0184-R

| | |
|--------|------|
| ?????? | |
| 100↑ | ±0.5 |
| 30~100 | ±0.3 |
| 5~30 | ±0.2 |
| 5↓ | ±0.1 |

| | | | | | | | | | |
|----------------------------------|-----------------------|-----------------------|----------|---------------------|------------------|--|----------|----------|--------------------------------|
| PRODUCT ???: YOKE | UNIT ??: mm | ???: DRAWN BY ??? | 07.08.14 | ???: INDENTATION | HRB52 B8 ? 3? ?? | | REVISION | DATE | DESCRIPTION |
| RAWING NO ?????: JD-9Q-0184-3 | SCALE ??: 1:1 | ???: FIRST CHCK BY | | | ????? (??)????? | | 修改 | 07.01.09 | 改为3.7X0.3 |
| CLIENT ??: ?????? | MASTERIAL ??: ???? | ???: CHECKED BY | | | | | 修改注释 | 07.03.03 | 删除原“分左右” |
| | | ???: APPROVED BY | | | | | 修改 | 07.08.14 | ?? $\phi 27.91_{-0.05}^{0.00}$ |