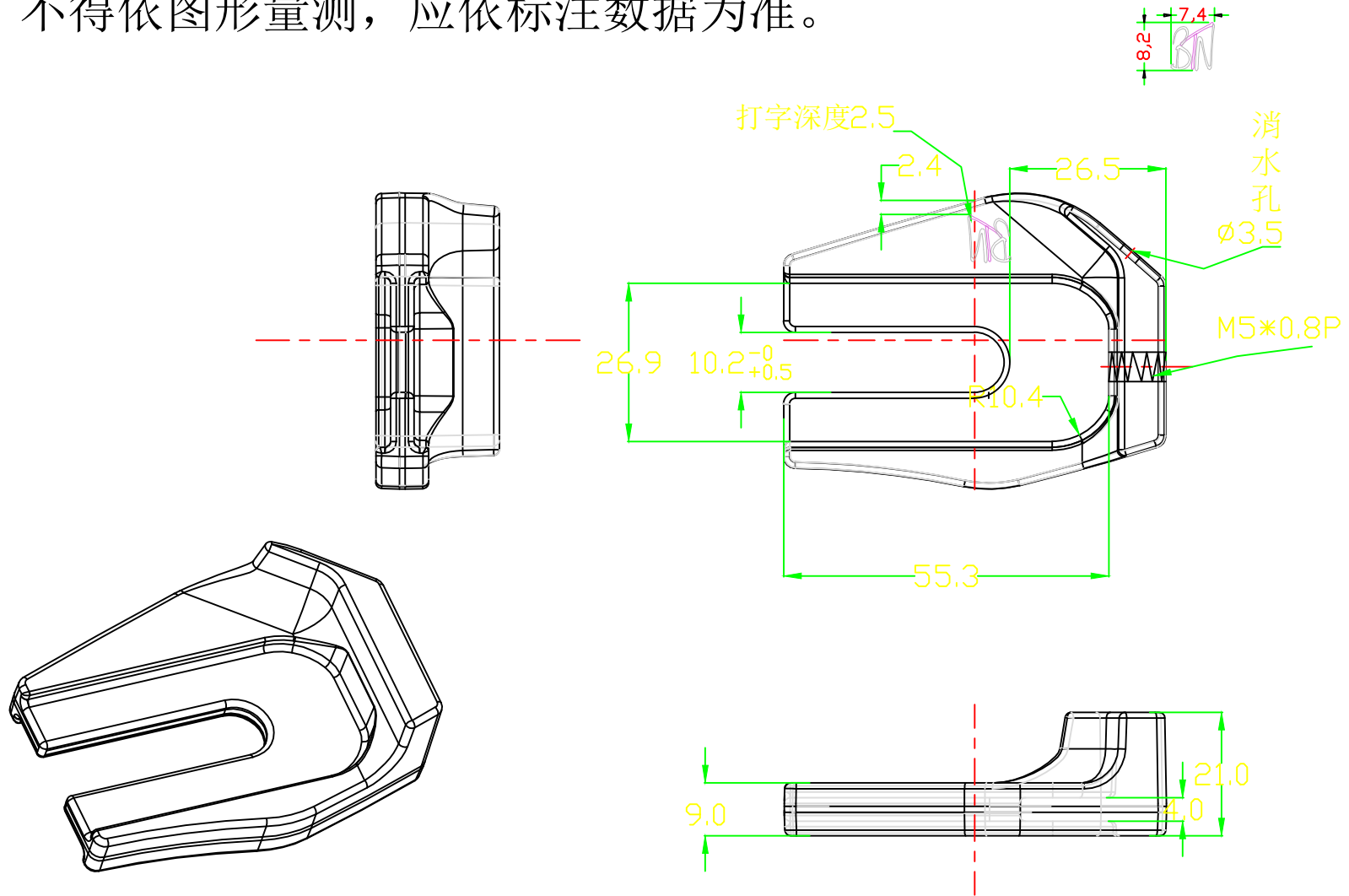


注：不得依图形量测，应依标注数据为准。



AUTODESK

AUTODESK

PRODUCT ? ?:	勾爪(左邊)	UNIT ? ?:	mm	DRAWN BY ? ?:		INDENTATION ? ?	HRB52	Φ8	? 2?	???	⊙	≡	SIGN	REVISION	DATE	DESCRIPTION
RAWING NO ????:	JD-9F-0329	SCALE ? ?:	1:1	CHECKED BY ? ?:	L. H. F	12.5.25	???	(?? )????								
CLIENT ? ?:		MASTERIAL ? ?:	???	APPROVED BY ? ?:				JIANGDING,HANDWARE.MANUFACTURE.CO.LTD								