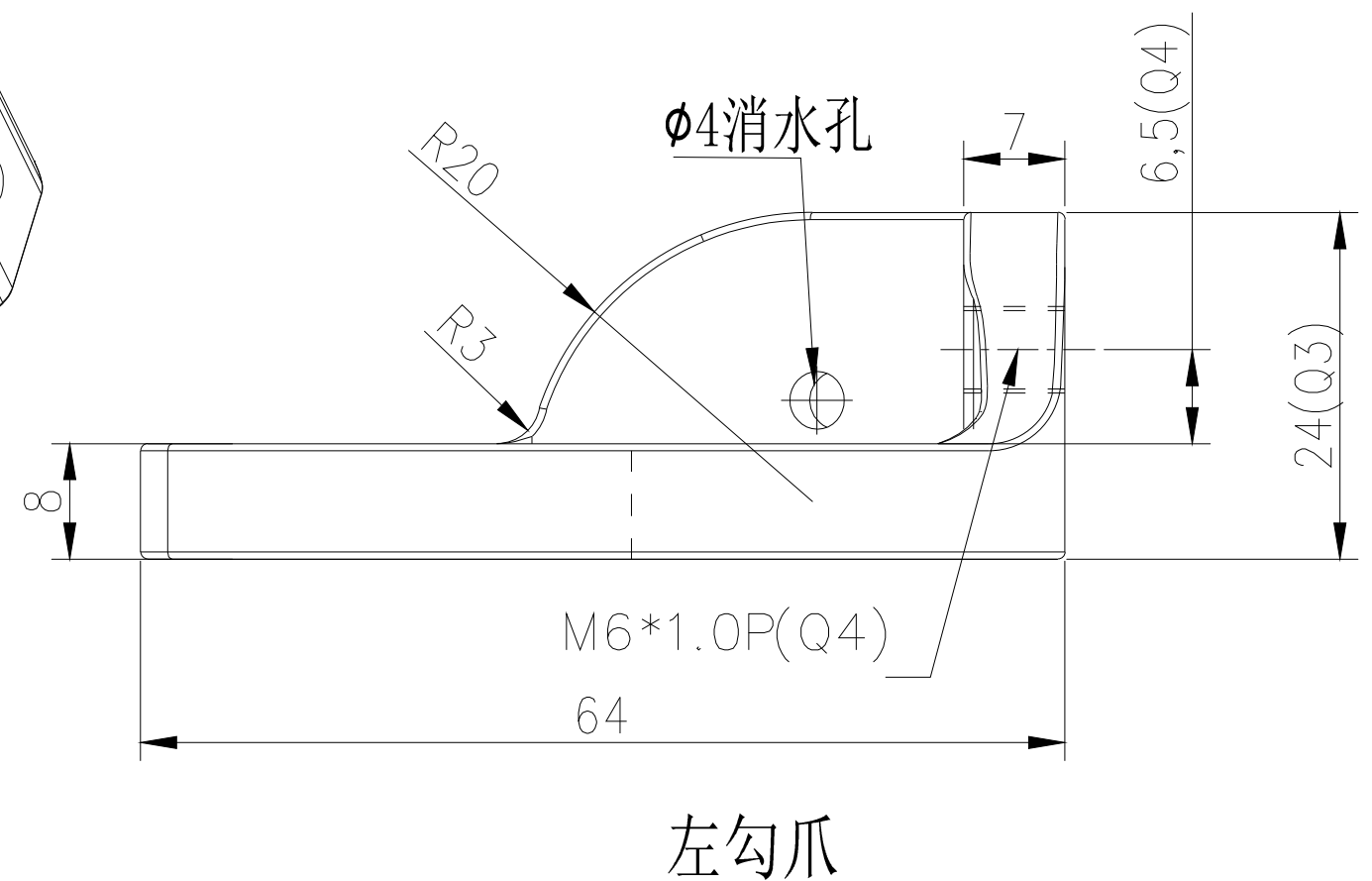
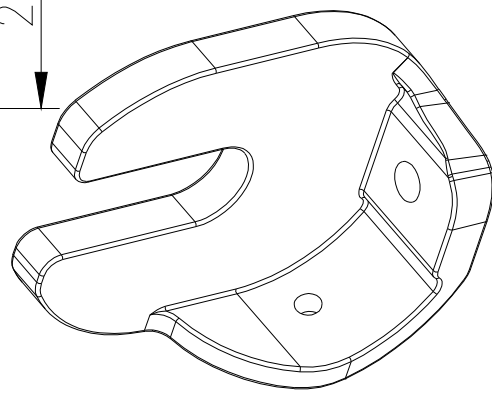
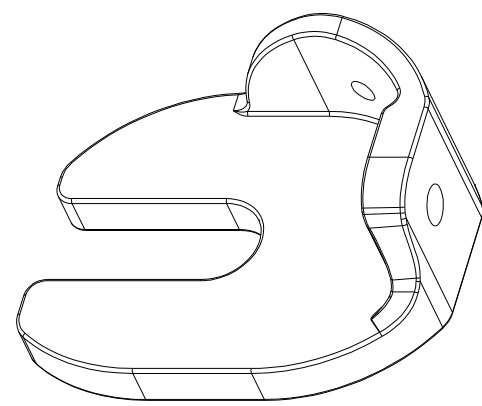
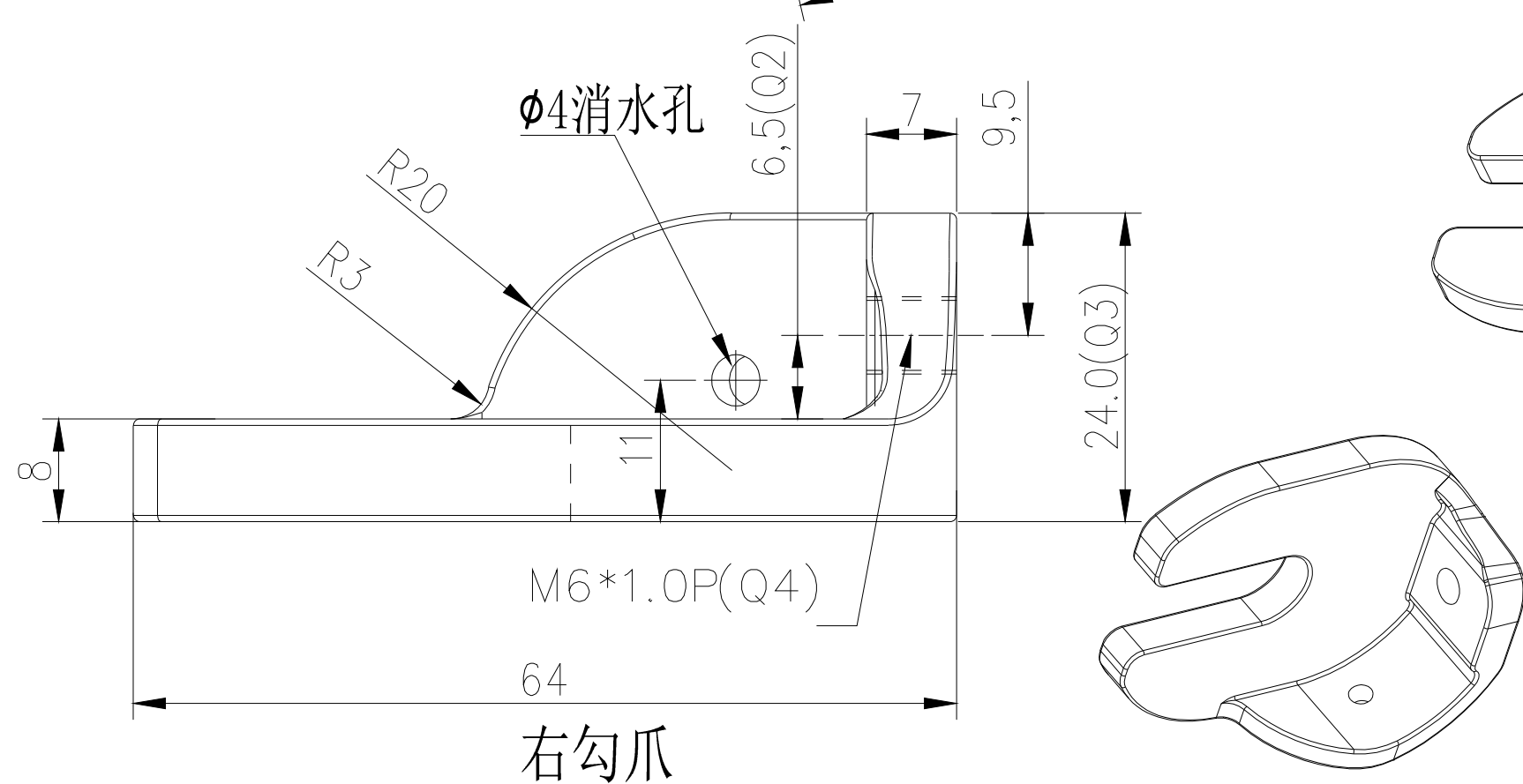
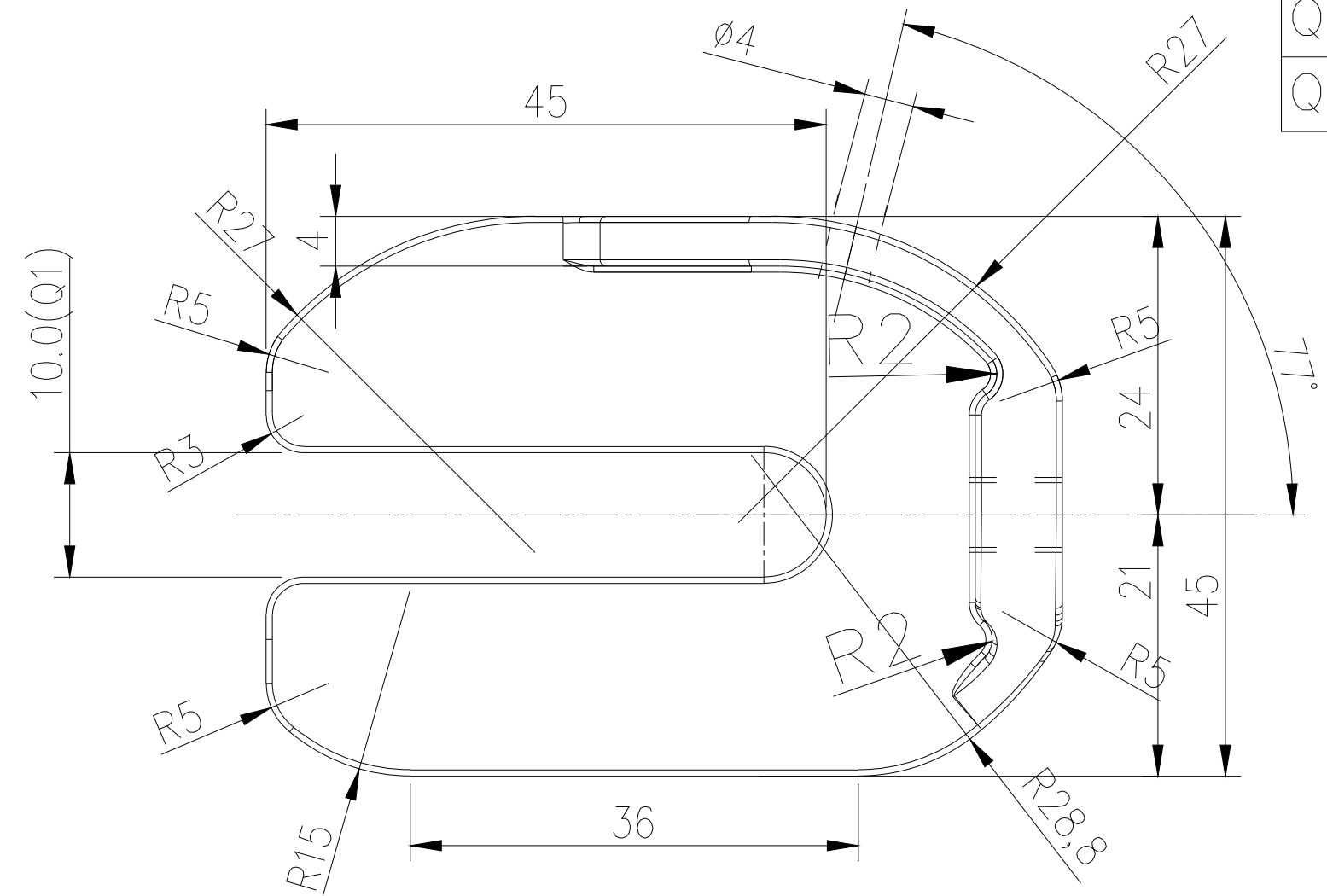
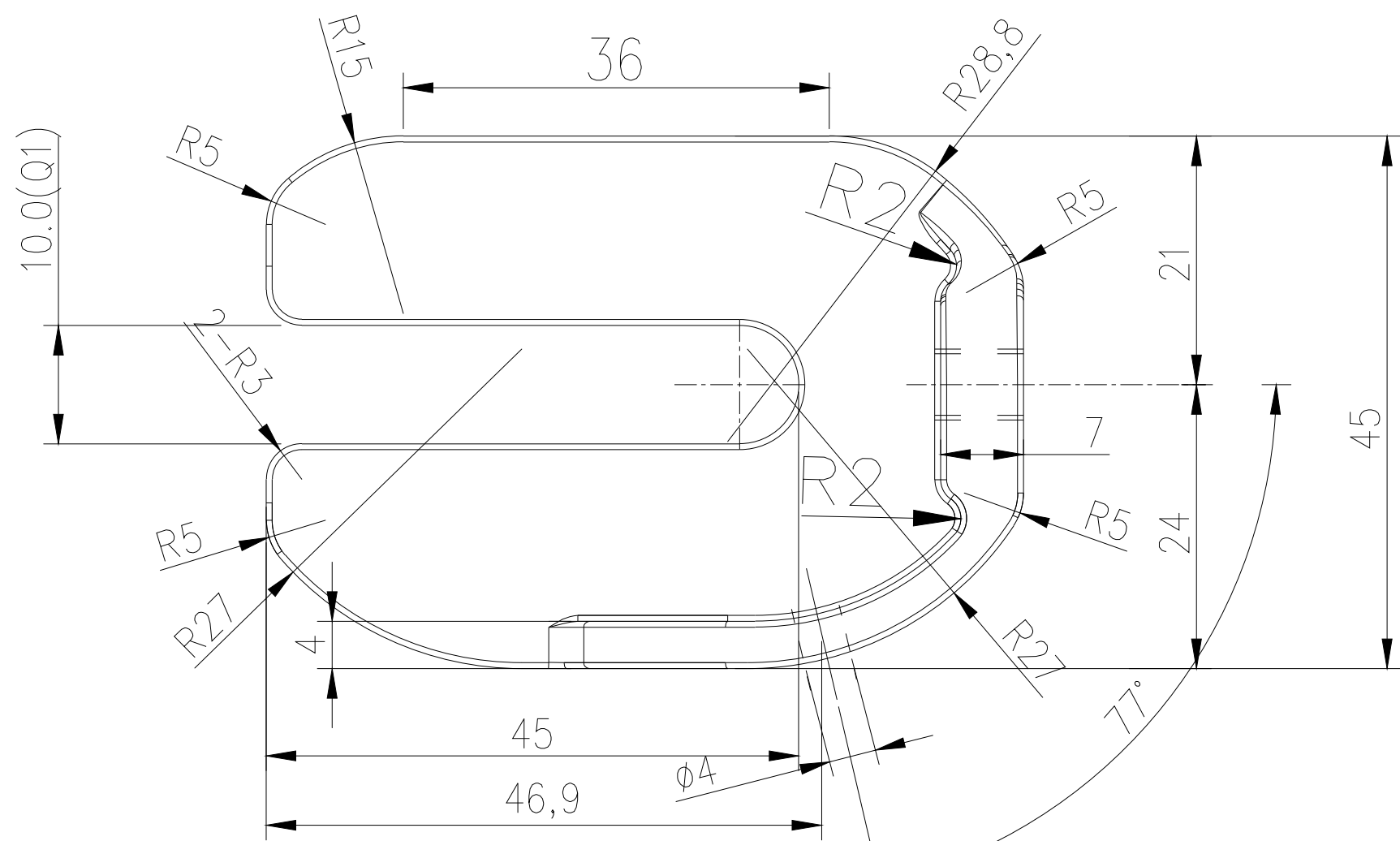


文件编号 JD-PJ-0296 ?? A0

注:未注尺寸依电脑图档,详细依3D图,以标注为准

重点检验	
??	尺寸公差
Q1	10.0 ^{+0.2} _{-0.1}
Q2	6.5 ^{+0.1} _{-0.0}
Q3	24.0 ^{+0.15} _{-0.0}
Q4	M6XP1.0



GB/T1804???	???
120↑	±0.5
30~120	±0.3
6~30	±0.2
6↓	±0.1
??	0.5°

PRODUCT ???	UNIT MM	DRAWN BY ???	09.07.07	INDENTATION ???	HRB52	???	1?	???					
RAWING NO JD-9F-0296	SCALE 1:1	CHECKED BY ???			????	(??)	????						
CLIENT IO-ND-189	MASTER ???	APPROVED BY ???			JIANGDING,HANDWARE.MANUFACTURE	CO.,LTD			SIGN	REVS	ION	DATE	DESCRIPTION