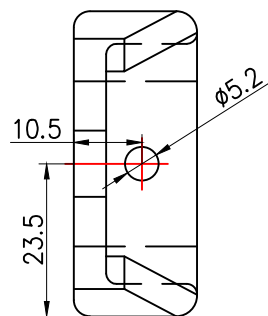
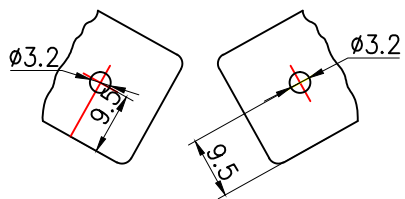
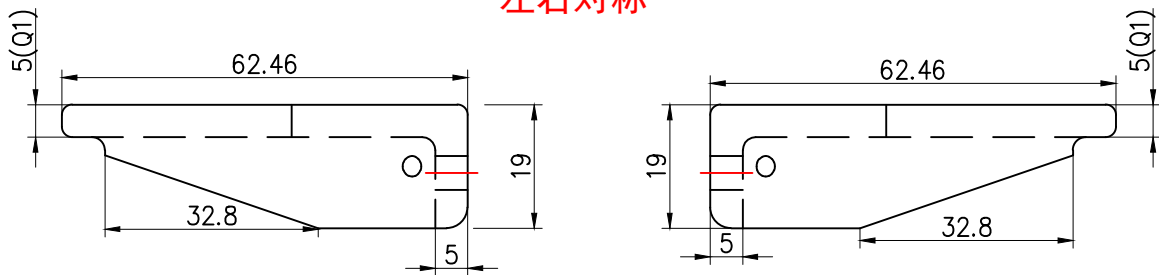
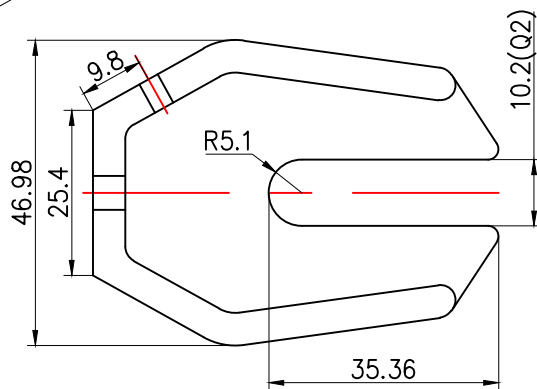
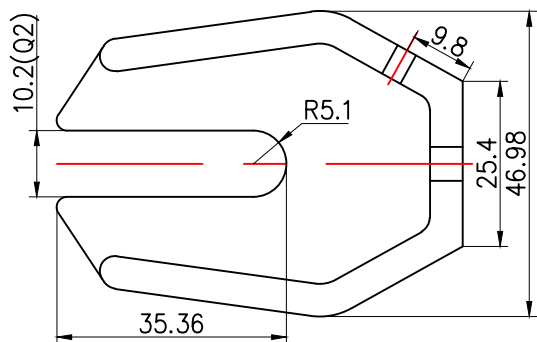


检验标准	
??	尺寸公差
Q1	5.00±0.15
Q2	10.20 <sup>+0.00</sup> <sub>-0.15</sub>

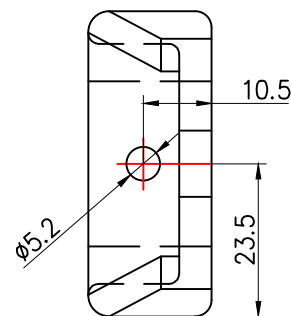
左右对称



右沟爪



左沟爪



GB/T1804-2000	
120f	±0.5
30~120	±0.3
6~30	±0.2
6f	±0.1
??	0.5

PRODUCT	?? ?	UNIT	MM	DRAWN BY	?? ?	08.04.16	INDENTATION	HRB52	?? ? 1 ?	?? ?	④	△			
RAWING	JD-9F-02	SCALE	1:1	CHECKED BY	?? ?			????	(?? )????			△			
CLIENT	?? ?	MATERIAL	7005	APPROVED BY	?? ?			JIANGDING,HANDWARE.MANUFACTURE.CO.LTD				△			
	27-3106-1											SIGN	REVISION	DATE	DESCRIPTION