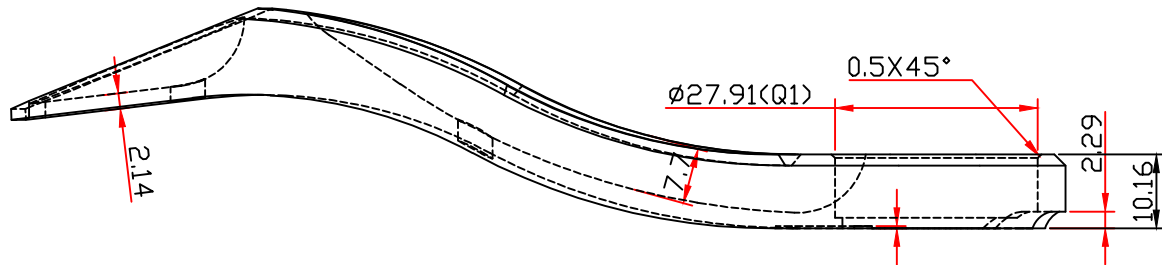
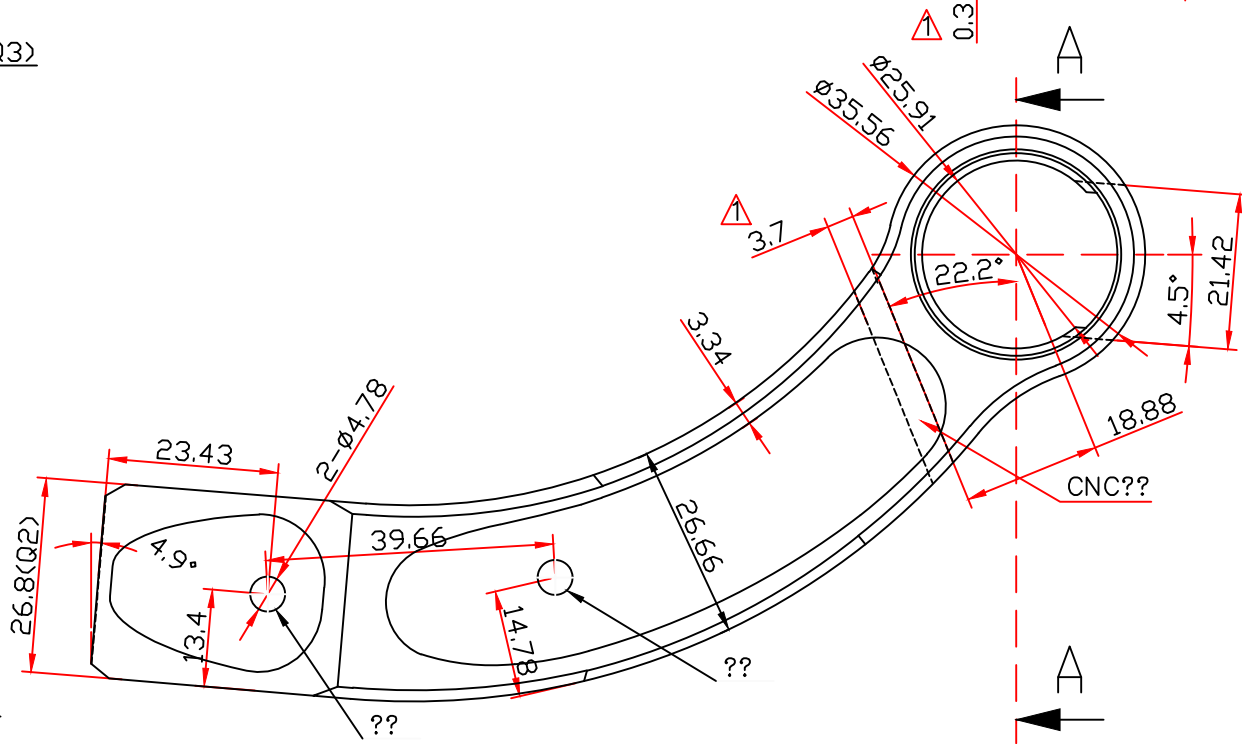
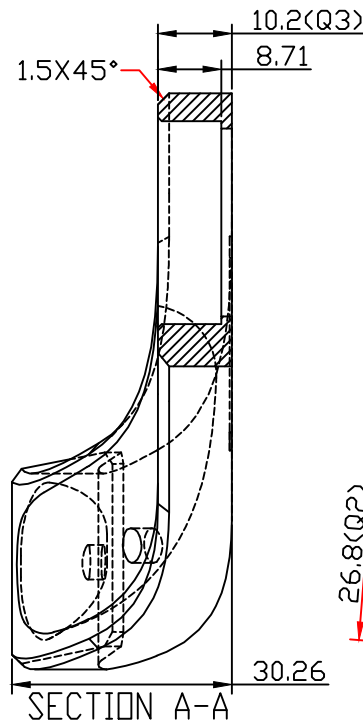


?????	
?????	
?????	<input type="checkbox"/>
?????	1
??	<input type="checkbox"/>
??	2
??	3
??	4
??	5
??	<input type="checkbox"/>
??	<input type="checkbox"/>
??	<input type="checkbox"/>
T4	6
T6	7
??	8
CNC	<input type="checkbox"/>
??	9
??	10
CNC	11
??	12
??	<input type="checkbox"/>
??	<input type="checkbox"/>
??	13
?????	<input type="checkbox"/>
??	<input type="checkbox"/>
??	<input type="checkbox"/>
?????	<input type="checkbox"/>
??	14
??	15
?????	16
??	17
<input type="checkbox"/>	

?: 1.CNC??Q1
2.??????????



检验标准	
??	尺寸公差
Q1	$\phi 27.91^{+0.05}$
Q2	26.8 ± 0.1
Q3	10.2 ± 0.1



??????	
100↑	±0.5
30~100	±0.3
5~30	±0.2
5↓	±0.1

????????(07.03.03)????

PRODUCT ? ??: YOKE	UNIT ? ??: mm	DATE 07.08.14	DRAWN BY ???	MATERIAL INDENTATION HRB52 68 ? 3? ??	SIGN 	REVISION 修改	DATE 07.01.09	DESCRIPTION 改为3.7X0.3
RAWING ???: JD-9Q-0184-6	SCALE ? ??: 1:1		FIRST CHCK BY ???	???? (??)????		修改注释	07.03.03	删除原“分左右”
CLIENT ? ??: T10-110-CS-MBH-RH	MASTERIAL ? ??:		CHECKED BY ???	JIANGDING, HANDWARE.MANUFACTURE.CO.,LTD		修改	07.08.14	?? $\phi 27.91^{+0.05}$
			APPROVED BY ???					