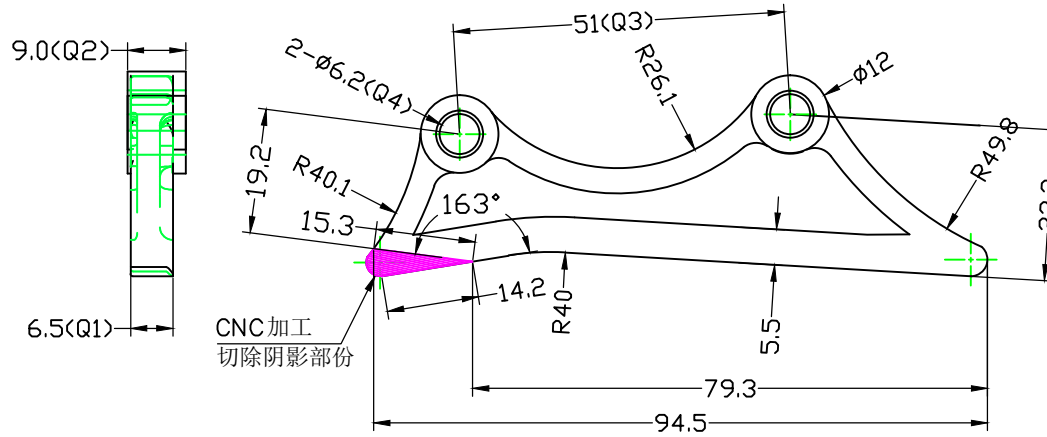
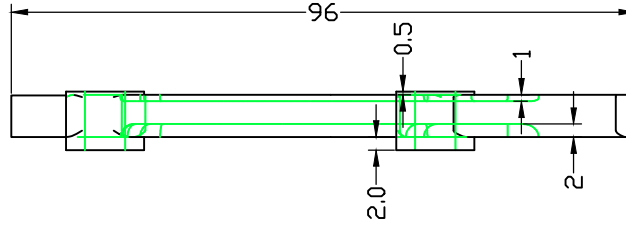



?????	
?????	
?????	
?????	1
??	
??	2
??	3
??	4
??	5
??	
??	6
??	
T4	7
T6	8
??	9
CNC	10
??	11
??	12
CNC	
??	13
??	
????	14
??	
??	
????	
??	
??	
????	
??	15
??	16
????	17
??	18

注: 未注缘孔倒C0.5x45°

检验标准	
??	尺寸公差
Q1	6.5 ^{+0.1} _{-0.0}
Q2	9.0 ^{+0.1} _{-0.0}
Q3	51±0.1
Q4	∅6.2 ^{+0.1} _{-0.0}



GB/T1804-2008	
120+	±0.5
30~120	±0.3
6~30	±0.2
6+	±0.1
??	0.5°

PRODUCT	??	UNIT	mm	DRAWN BY	???	07.10.13	INDENTATION	HRB52	88	??	???	◎	≡	SIGN	REVISION	DATE	DESCRIPTION
DRAWING NO	JD-9K-0119	SCALE	1:1	FIRST CHCK BY	???									△			
CLIENT	YG-E219-06C080	MASTERIA	???	CHECKED BY	???									△			
				APPROVED BY										△			
														JIANGDING.HANDWARE.MANUFACTURE.CO.LTD			