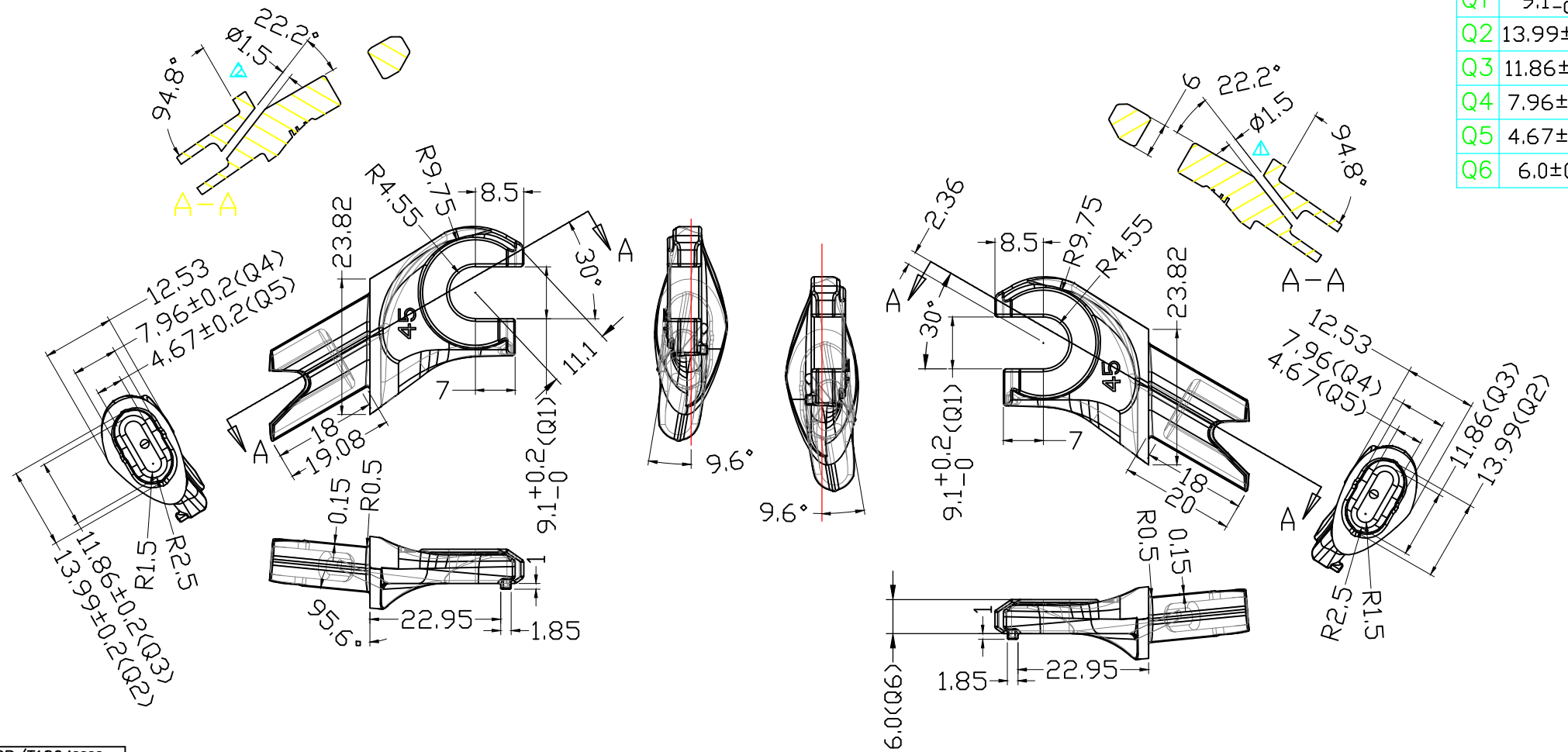


检验标准	
??	尺寸公差
Q1	9.1 <sup>+0.2</sup> <sub>-0.0</sub>
Q2	13.99±0.2
Q3	11.86±0.2
Q4	7.96±0.2
Q5	4.67±0.2
Q6	6.0±0.1



GB/T1804	??
120+	±0.5
30~120	±0.3
6~30	±0.2
6+	±0.1
??	0.5°

??????????

PRODUCT	??	UNIT	MM	DRAWN BY	??	08.02.18	INDENTATION	??	HRB60	??	??	??	??	??	??	??	??
DRAWING NO	JD-9E-00??	SCALE	1:1	CHECKED BY	??												
CLIENT	RCF02-DR-25-45??	MATERIAL	??	APPROVED BY	??												
	RCF02-DR-26-45??																
JIANGDING,HANDWARE.MANUFACTURE.CO.LTD																	
												SIGN	REVISION	DATE	DESCRIPTION		