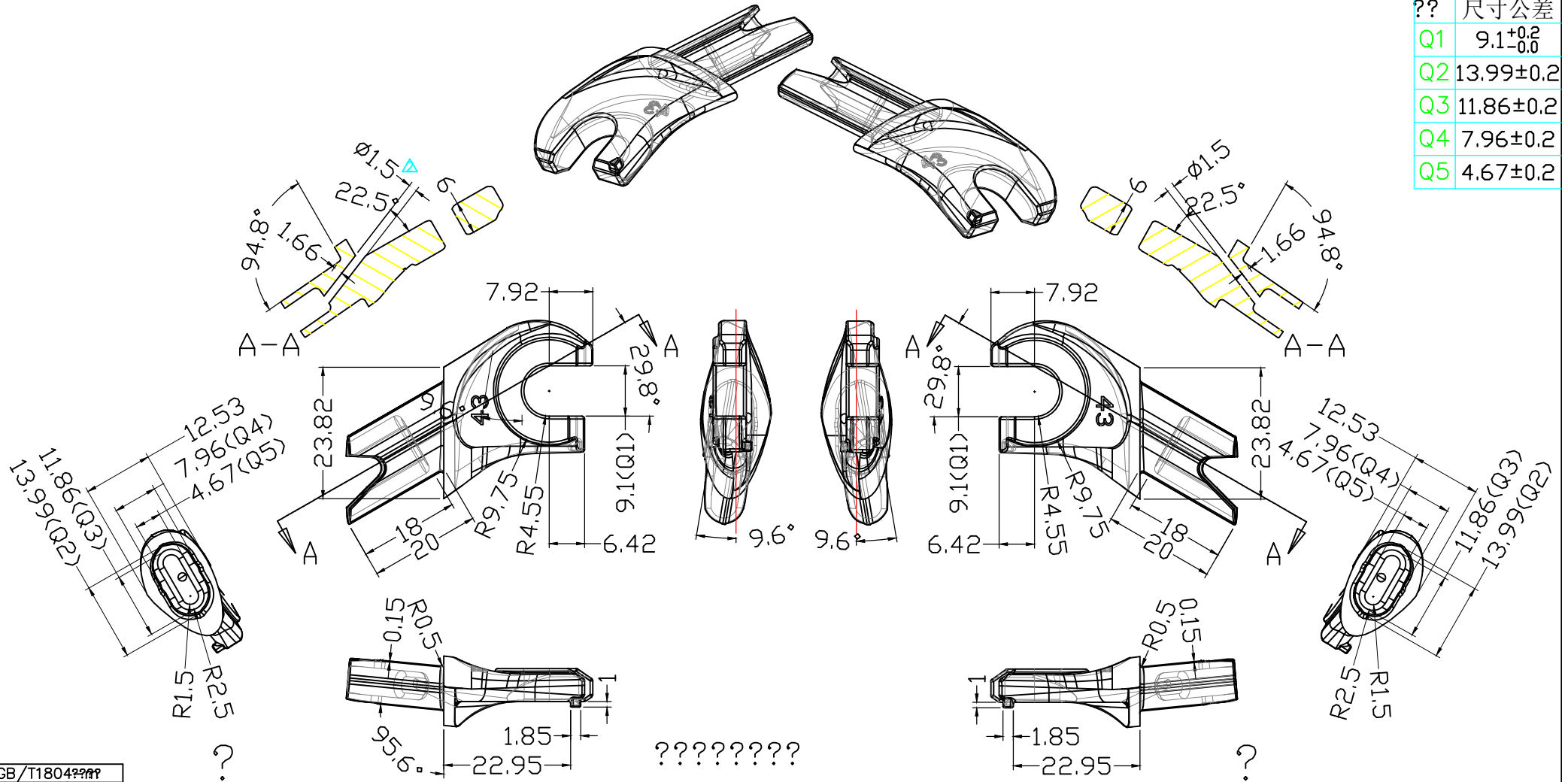



?: 1.??????????

检验标准

??	尺寸公差
Q1	9.1 ^{+0.2} _{-0.0}
Q2	13.99±0.2
Q3	11.86±0.2
Q4	7.96±0.2
Q5	4.67±0.2



GB/T1804???	???
120+	±0.5
30~120	±0.3
6~30	±0.2
6+	±0.1
??	0.5°

PRODUCT ? ? ? ?	UNIT ? ? ?	MM	DRAWN BY ? ? ?	08.02.14	??	HRB52	??	? 1 ?	???	◎	△		
RAWING NO ? ? ? ?	JD-9E-0021	SCALE 1:1	CHECKED BY ? ? ?								△		
CLIENT ? ? ?	RCF02-DR-25-43-22	MASTER MATERIAL ???	APPROVED BY ? ? ?								△		
 JIANGDING, HANDWARE, MANUFACTURE CO., LTD										SIGN	REVISION	DATE	DESCRIPTION